



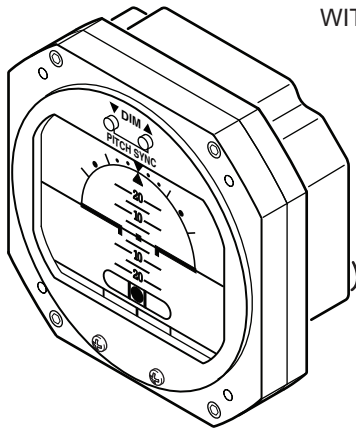
RCA 2610-P SERIES

PITOT-STATIC

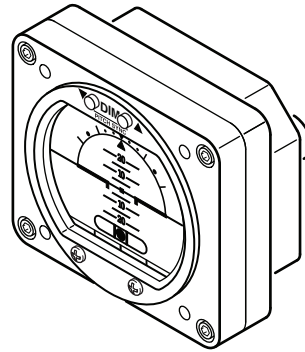
ELECTRIC DIGITAL HORIZON

INSTALLATION/OPERATION GUIDE

WITH PITCH SYNC

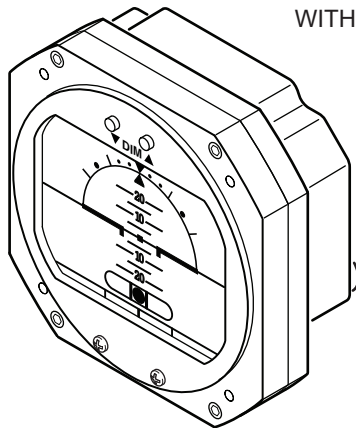


RCA 2610-3P (3 inch)

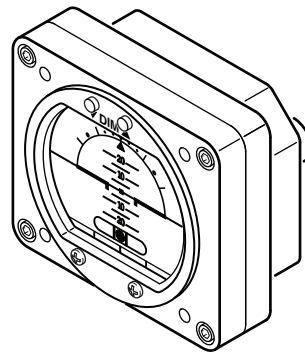


RCA 2610-2P (2 inch)

WITHOUT PITCH SYNC



RCA 2610-3P-G (3 inch)



RCA 2610-2P-G (2-inch)

TABLE OF CONTENTS

	PAGE
<u>SECTION 1</u>	<u>2</u>
INSTRUMENT DESCRIPTION	
1.1 General Description.....	2
1.2 Physical Description	2
1.3 Display Features	5
1.4 Standard Configurations.....	6
1.5 Optional Features.....	6
<u>SECTION 2</u>	<u>7</u>
INSTALLATION	
2.1 General Information.....	7
2.2 Handling	7
2.3 Pre-Installation Inspection	7
2.4 Installation	7
<u>SECTION 3</u>	<u>8</u>
OPERATION	
3.1 Pre-Flight Procedures.....	8
3.2 In-Flight Procedures - Pitch Sync.....	8
3.3 In-Flight Procedures - Dimmer	9
3.4 Flight Limitations	9
3.5 Emergency Procedures.....	9
<u>SECTION 4</u>	<u>10</u>
GENERAL INFORMATION	
4.1 Flight Testing and Adjustments	10
4.2 Instrument Care	10
4.3 Optional Slip Indicator	10
4.4 Battery Replacement.....	11
4.5 Frequently Asked Questions (FAQs).....	12
<u>APPENDIX A</u>	<u>13</u>
DO-160G ENVIRONMENTAL QUALIFICATION FORM	
<u>APPENDIX B</u>	<u>14</u>
INSTRUCTIONS FOR AIR WORTHINESS	
<u>APPENDIX C</u>	<u>15</u>
TABLE OF PART NUMBERS	
<u>LIST OF ILLUSTRATIONS</u>	
Figure 1.1, General Dimensions.....	3
Figure 1.2, General dimensions (-G Models)	4
Figure 1.3, Typical Display Features	5
Figure 1.4, Rate of Turn Indication	6
Figure 3.1, Pitch Sync	8
Figure 3.2, Dimmer Controls	9
Figure 4.1, Slip Indicator Installation	10
<u>LIST OF TABLES</u>	
Table 1.1, Leading Particulars	2
Table 1.2, Standard Configurations	6

REVISION DETAIL

REVISION	DATE	DETAIL
A	03/07/2018	Initial Release.
B	12/10/2018	Update software and part number changes. Add Flight Testing Section 4.1.
C	06/05/2019	Update entire manual to reflect new options.
D	04/28/2021	Added Battery Replacement Section 4.4
E	06/30/2021	Revised Section 3.4 Flight Limitations.
F	11/17/2021	Update Software Version.

SECTION 1: INSTRUMENT DESCRIPTION

1.1 GENERAL DESCRIPTION

An attitude indicator, also known as a gyro horizon or artificial horizon, is an instrument used in an aircraft to inform the pilot of the orientation of the airplane relative to the earth. It indicates pitch (fore and aft tilt) and bank (side to side tilt), and is a primary instrument for flight in instrument meteorological conditions. Attitude indicators also have significant applications under visual flight rules.

The **RCA2610-P** is a Digital Attitude Indicator that has no gyroscope. It utilizes several internal accelerometers to provide Pitch and Roll information. Airspeed is part of the calculations needed in this process. In some instances with high performance aircraft, sudden acceleration/deceleration or high g-forces adversely effect the accelerometer speed calculations. The **RCA2610-P** Series adds **Pitot-Static** airspeed input which ensures constant and accurate speed data for greater reliability.

Because the **RCA2610-P** has no mechanical gyroscope, it is much more stable than traditional horizons. The unit is designed to work in 360 degrees of pitch and roll and, unlike a mechanical unit, the **RCA2610-P** can tolerate angles in pitch and roll that would cause a gyroscopic unit to tumble.

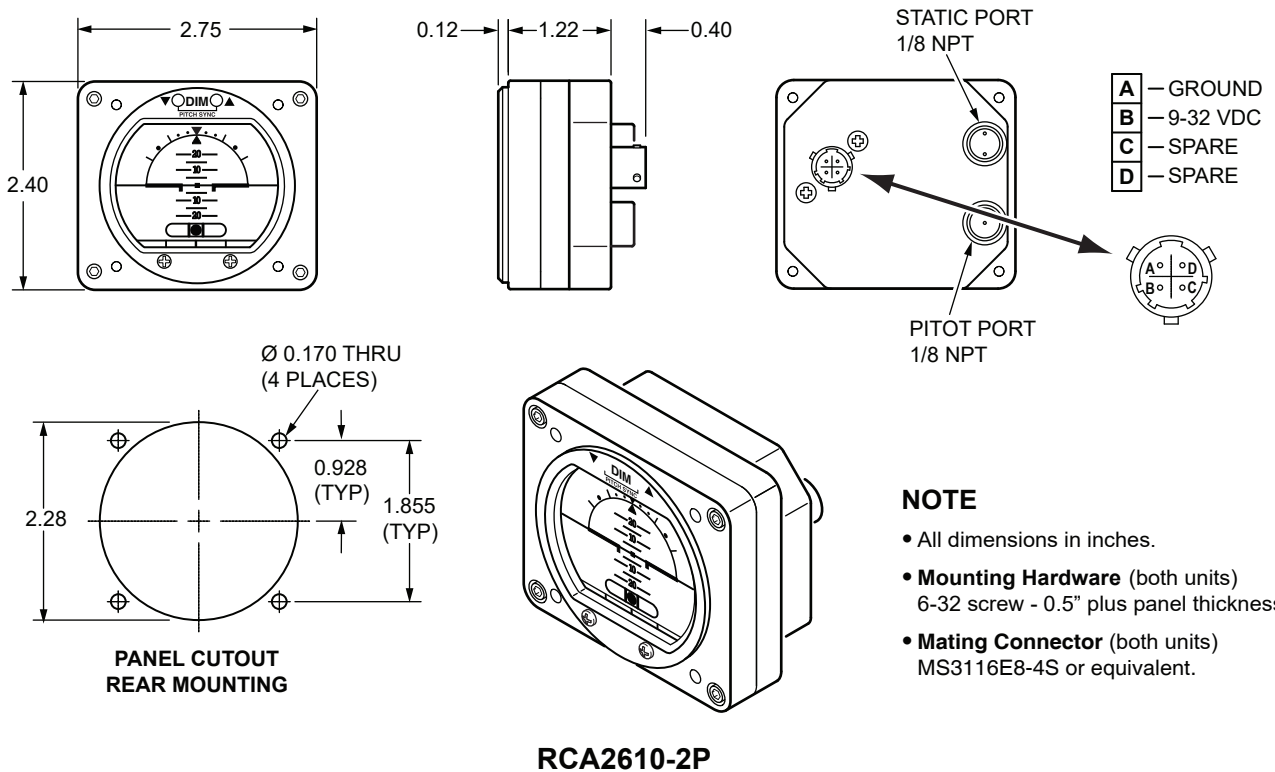
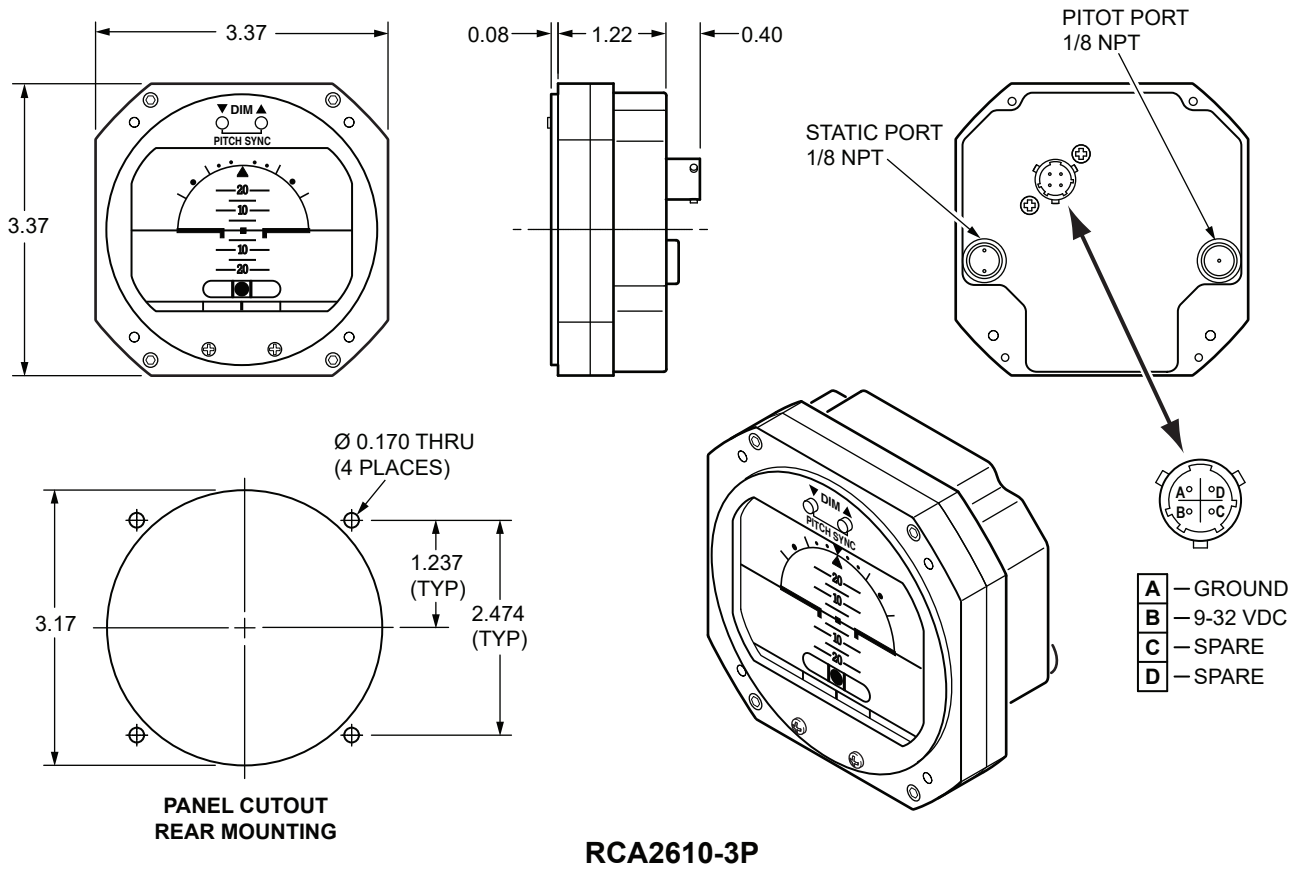
On the attitude indicator you will see two yellow horizontal lines with a dot between them. The horizontal lines represent the wings and the dot represents the nose of the aircraft. If the symbolic airplane dot is above the horizon line (more blue background) - the aircraft is nose up. If the symbolic airplane dot is below the horizon line (more brown background) - the aircraft is nose down. When the dot and wings are on the horizon line, you are in level flight. If the lines representing the wings roll to the left or the right, the aircraft is probably starting a turn. The actual bank angle is calibrated around the circumference of the instrument dial. The pitch angle is indicated by a series of calibration lines, each representing 5° or 10° of pitch.

1.2 PHYSICAL DESCRIPTION

There are two basic models, the **RCA2610-P** (P for Pitot-Static) which has **Pitch Sync** and the **RCA2610-P-G** which does not have Pitch Sync. The Pitch Sync feature allows the pilot to adjust the symbolic airplane to match the horizon during pitch up or pitch down level flight. Both versions come in standard 3 inch and 2 inch sizes. Refer to table 1.1 below for a list of leading particulars.

<u>OPERATING VOLTAGE</u>	9 to 32VDC
<u>STARTING CURRENT</u>	9VDC: 0.18 to 0.22 AMPs MAX
<u>RUNNING CURRENT</u>	(14VDC SYSTEM) 0.20 AMP MAX (28VDC SYSTEM) 0.15 AMP MAX
<u>CIRCUIT BREAKER SIZE</u>	1 AMP
<u>SETTLING ERROR</u>	1° MAXIMUM IN ROLL AND PITCH
<u>OPERATING TEMPERATURE RANGE</u>	-20° TO +55° C
<u>MATING CONNECTOR</u>	MS3116E8-4S OR EQUIVALENT
<u>WEIGHT</u>	RCA2610-3P 6.75 oz RCA2610-2P 4.75 oz
<u>DIMENSIONS/PANEL CUTOUT</u>	SEE FIGURES 1.1 and 1.2
<u>EYE VIEWING ANGLE ENVELOPE</u>	Horizontal Left and Right: 35° Left, 35° Right Vertical Up and Down: 35° Up, 35° Down Minimum distance from display surface: 6 inches Maximum distance from display surface: 48 inches
<u>SOFTWARE VERSION</u>	Version 3.0.12
<u>FAA SPECIFICATION CONFORMANCE</u>	DO-160G and DO-178B Level C See Appendix C for TSO Certification by part number
<u>MEETS OR EXCEEDS</u>	AS8034A, AS8004 and AS396B

TABLE 1.1, LEADING PARTICULARS



NOTE

- All dimensions in inches.
- **Mounting Hardware** (both units)
6-32 screw - 0.5" plus panel thickness
- **Mating Connector** (both units)
MS3116E8-4S or equivalent.

Figure 1.1, General Dimensions (-P Models)

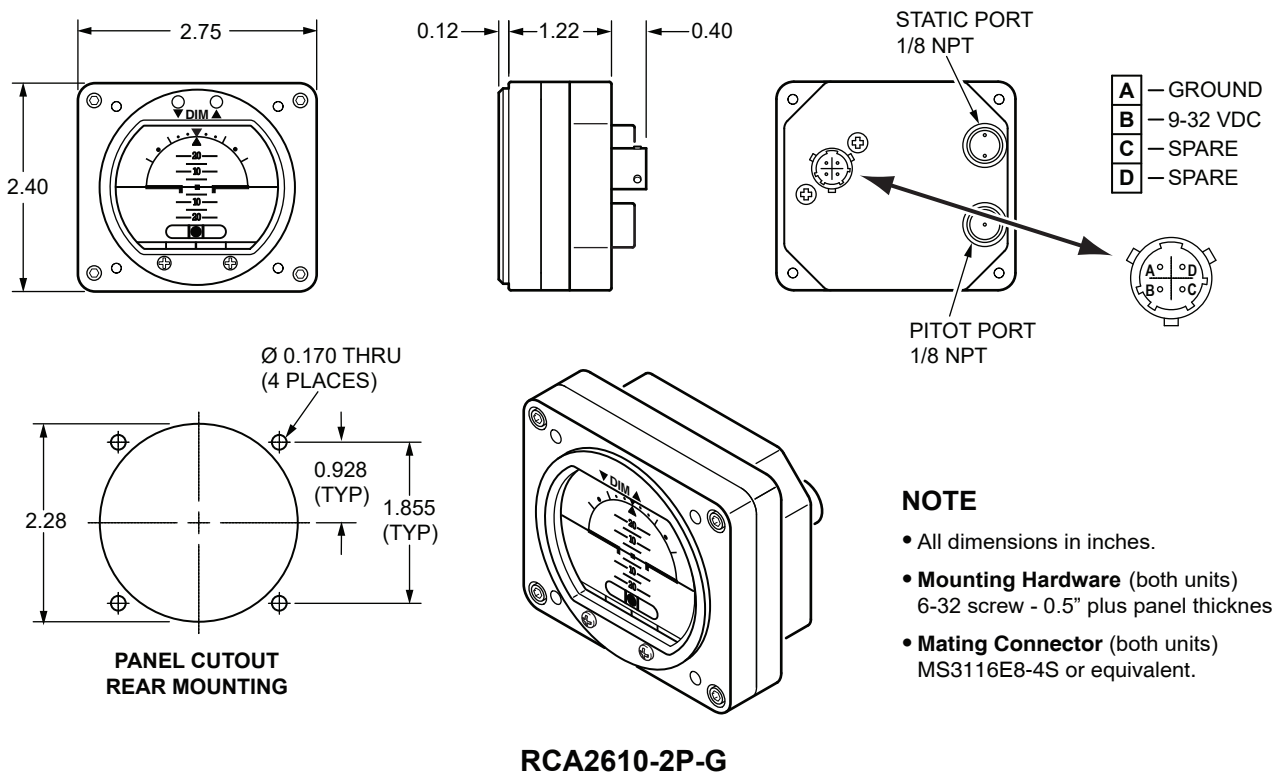
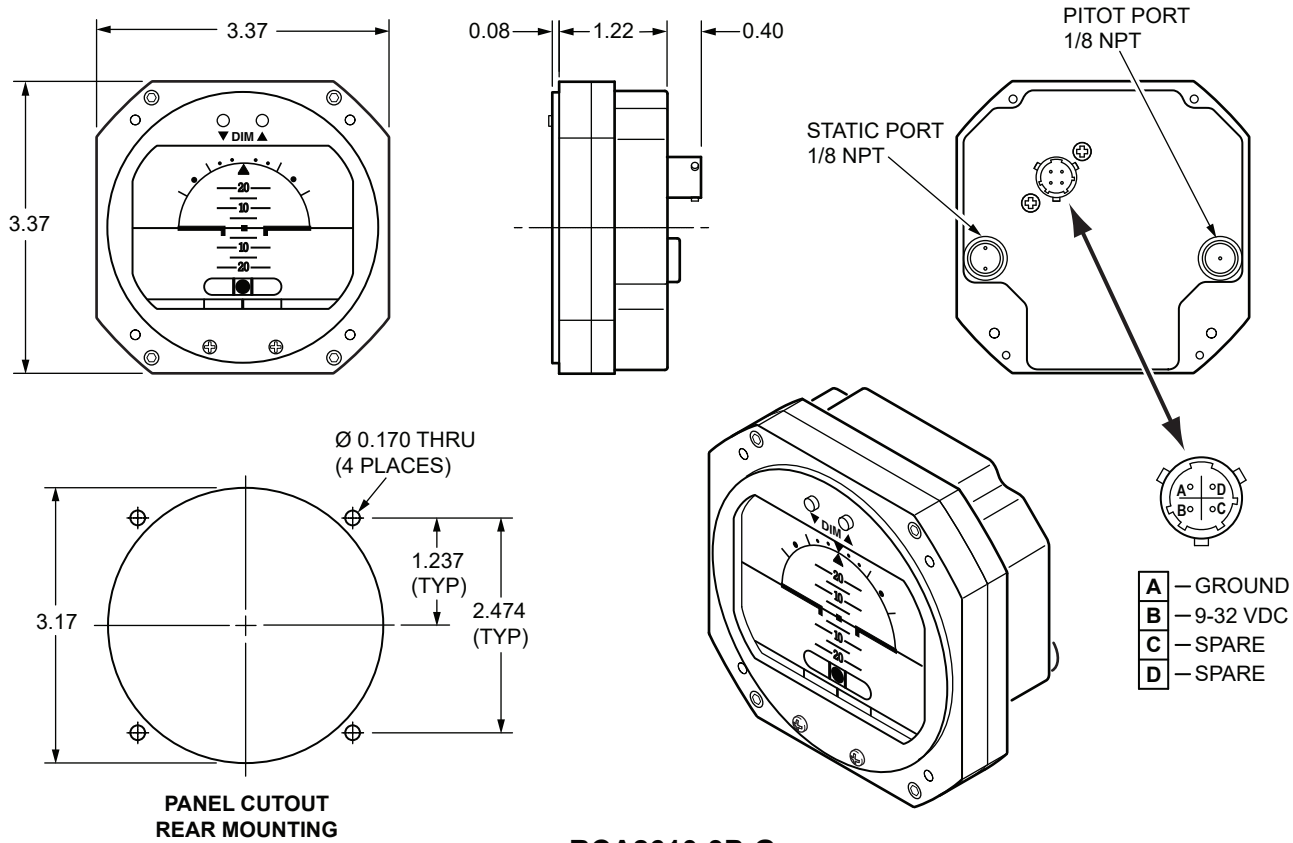


Figure 1.2, General Dimensions (P-G Models)

1.3 DISPLAY FEATURES

See Figure 1.2 below for typical display features. RCA2610-3P shown.

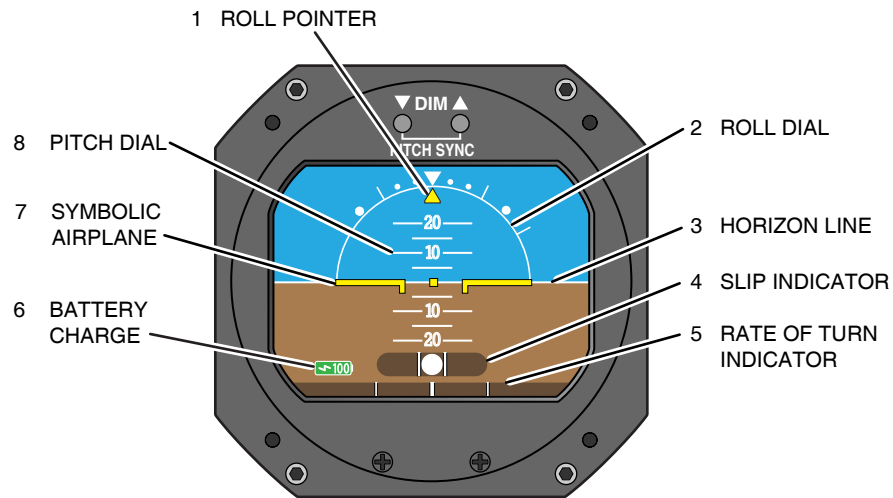


Figure 1.3, Typical Display Features

1. ROLL POINTER

The Roll Pointer points to the degree of roll against the Roll Dial.

2. ROLL DIAL

The Roll Dial shows the degree of roll against the Roll Pointer.

3. HORIZON LINE

Indicates earth horizon relative to aircraft pitch and roll.

4. SLIP INDICATOR

Also referred to as an Inclinometer, the Digital Slip Indicator measures the relative strength of the force of gravity and the force of inertia caused by a turn; thus indicating whether the aircraft is slipping or skidding. (Add-on mechanical option also available for all RCA2610 models)

5. RATE OF TURN INDICATOR (OPTIONAL)

Displays graduated scale to provide standard Rate of Turn.

6. BATTERY CHARGE STATUS INDICATOR (OPTIONAL)

Indicates the amount of battery charge (on instruments with the Battery Backup Option).

7. SYMBOLIC AIRPLANE

Represents the orientation of the aircraft's wings and nose in relation to the horizon. The dot represents the nose of the aircraft and indicates Pitch. The wings indicate roll.

8. PITCH DIAL

Indicates the Pitch angle as determined by the Symbolic Airplane dot.

1.4 STANDARD CONFIGURATIONS

For all available options and configurations, refer to Table 1.2, below and Appendix C in back of manual.

Panel Tilt Angle setting	Set to customer requirements
Mating Connector	MS3116E8-4S or equivalent
Color Scheme	Standard Blue & Brown
Display pointer style	Fixed
Power Failure Indication Flag	All models
Brightness Adjust	All models

Table 1.2, Standard Configurations

1.5 OPTIONAL FEATURES

SLIP INDICATOR

Digital or mechanical add-on Slip Indicator.

PITCH SYNCHRONIZATION

Allows you to quickly set the symbolic airplane to the horizon line when flying in a nose up or nose down pitch attitude. (See Section 3.2)

RATE OF TURN INDICATOR

Displays graduated scale to provide standard Rate of Turn. (See Figure 1.4)

BATTERY BACKUP

Automatically provides up to an hour of battery power in the event of a power loss.

Associated battery messages:

“Batt Pwr” indicates when the unit is operating in the Battery Mode.
(To shutdown Battery Mode, simultaneously press and hold both “Dim” buttons).

“Chk Batt” indicates that either the battery failed the capacity test or is inoperable (See Section 4.4 Battery Replacement).

NVIS COMPATIBLE

Equipped with an internal NVIS compatible filter.

NOTE

- Units with the Slip Indicator option that do not have the Rate of Turn option, only hold a partial or “incomplete” TSO-C3e because the unit only meets the slip aspects of the TSO and not the turn rate aspects.
- The optional Battery Pack attaches to the rear of the instrument and adds 0.45 inches to the depth of the unit. (See appendix B for replacement intervals).

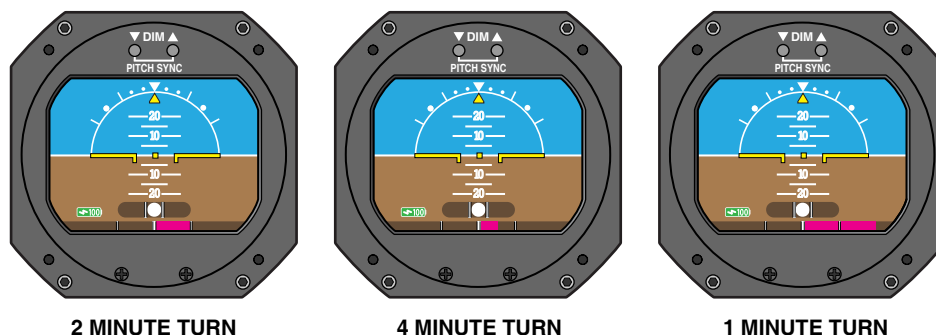


Figure 1.4, Rate of Turn Indication.

SECTION 2, INSTALLATION

2.1 GENERAL INFORMATION

The conditions and test required for the TSO approval of this article are minimum performance standards. It is the responsibility of those installing this article either on or within a specific type or class of aircraft to determine that the aircraft installation conditions are within the TSO standards. TSO articles must have a separate approval for installation in an aircraft. The article may be installed only if performed under 14CFR Part 43 or the applicable airworthiness requirements.

For certain classes of Part 23 aircraft level C of DO-178B certification may not be sufficient - check with your local regulatory authority prior to installation.

2.2 HANDLING

Although the RCA2610-P Series instruments are totally electronic, improper handling can cause damage. Please observe the following precautions while handling.

1. Do not drop, jar or shake instrument. Store instrument in shipping container until installation.
2. Instruments should be transported in the original shipping container when moved to and from aircraft. If container is not available, carefully carry by hand in upright position.
3. Avoid touching the screen. This is the most vulnerable part of the instrument. Improper handling and cleaning can cause permanent scratching of the screen surface (See *Instrument Care* on Page 9).
4. To prevent further damage, a malfunctioning instrument should be handled as carefully as a new instrument. Most malfunctioning instruments can be repaired and returned to service. Contact Kelly Manufacturing Company for repair and warranty information.

2.3 PRE-INSTALLATION INSPECTION

1. When the instrument is first received, inspect container for any shipping damage.
2. Carefully remove the instrument from shipping container and retain container for later storage or shipping.
3. Inspect the instrument for any signs of damage. Contact your Shipper to file any claim due to shipping damage.
4. Check labeling on the instrument to assure that the instrument panel tilt angle is correct for your aircraft.

2.4 INSTALLATION

Install the instrument on the aircraft by using the aircraft manufacturer's recommendations and by the following steps:

1. The RCA2610-P Series Horizon uses standard panel cutouts. Refer to Figures 1.1 and 1.2 "General Dimensions" for instrument and cutout dimensions.
2. Instrument Pinout is: A = GND, B = PWR, C = SPARE, D = SPARE. **CAUTION:** Do not apply power to Spare pins as damage may occur. See table 1.1 "Leading Particulars" for additional electrical information.
3. Attach pitot-static lines (if required) and aircraft electrical connector to the instrument and insert into the instrument panel cutout (See Figures 1.1 and 1.2).
4. Secure instrument with supplied screws. Use 6-32 UNC-2b screws or equivalent. Screw length should not exceed .5 inches plus bezel and panel thickness. Do not tighten.
5. With the aircraft on level surface, apply power to the instrument and allow it to warm up for 3 minutes.
6. Adjust roll position of the instrument by visually aligning the roll pointers. The Horizon Line should be level and unbroken. Tighten screws.

Do Not modify the instrument in any way. Any modifications will void the warranty and revoke the FAA certifications.

SECTION 3, OPERATION GUIDE

3.1 PRE-FLIGHT PROCEDURES

During pre-flight procedures, the instrument must be provided with adequate electrical power under normal vibration conditions (engine running). A red "X" appears across the screen indicating that the instrument is booting up. When the X disappears, the instrument is ready. The startup process should be completed within three minutes.

When applicable, check that the Battery Charge Status Indicator displays at least 50% charge to ensure a minimum of 30 minutes of battery operation in the event of a power failure.

NOTE

On tail-dragger aircraft, the indicator will not show as level until after achieving level flight. No adjustment are necessary when level flight is achieved.

3.2 IN-FLIGHT PROCEDURES - PITCH SYNC

(Selected models only)

If you typically fly in a "nose down" or "nose up" pitch attitude, you can adjust the Airplane Symbol to match the Horizon Line on your instrument. The Pitch Synchronization (Pitch Sync) feature allows you to instantly sync the Airplane Symbol to the Horizon.

NOTE

This feature is not necessary for most aircraft and is to be used only in situations where normal flight pitch is deviated from 0 degrees.

PITCH SYNC ACTIVATION

Once you have achieved the desired flying pitch, activate the Pitch Sync feature by pressing **BOTH** PUSH BUTTONS simultaneously. This synchronizes the Airplane Symbol to the Horizon Line.

The Sync 'On' indicator will display "SYNC" when the Pitch Sync is activated (see figure 3.1).

PITCH SYNC DE-ACTIVATION

To return to True Pitch, press **BOTH** PUSH BUTTONS simultaneously. This moves the Airplane Symbol back to True Pitch Indication and the Sync 'On' indicator will disappear.

EXAMPLE

In the example shown in Figure 3.1, The aircraft is flying level at a 10 degree nose down pitch with the Pitch Sync on. The Sync 'On' Indicator is being displayed. The True Pitch Horizon is indicated by the bottom Tick Mark on the Roll Dial which is aligned with the 10 degree mark on the Pitch Dial. The Airplane Symbol is shown aligned with the Horizon Line at 0 degrees on the Pitch Dial.

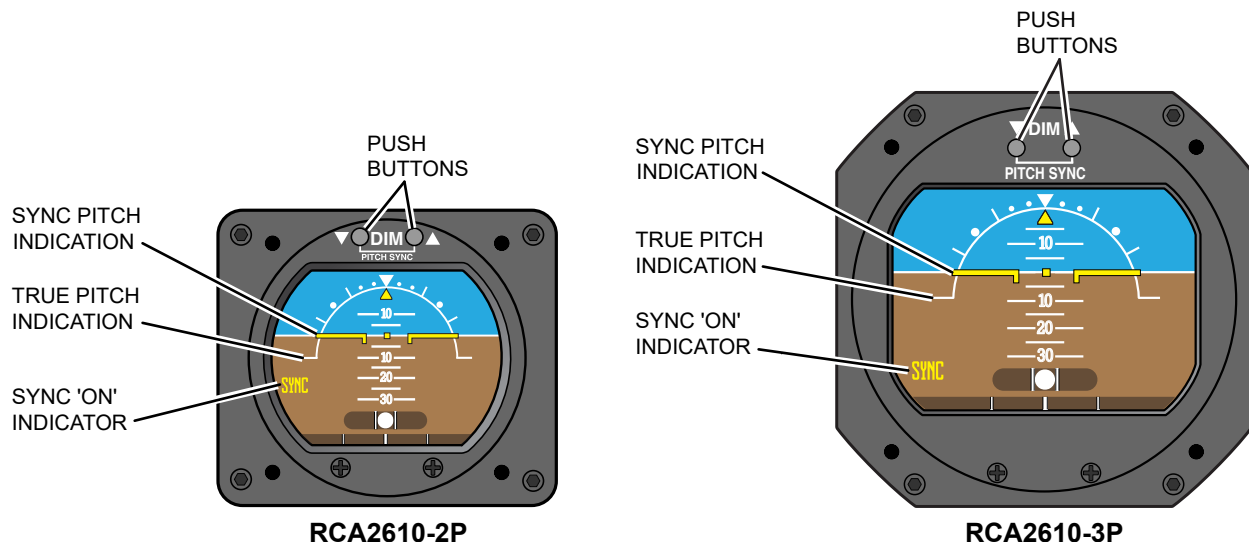


Figure 3.1, Pitch Sync

3.3 IN-FLIGHT PROCEDURES - DIMMER

On startup, the RCA2610-P defaults at its maximum brightness. You may adjust the screen brightness at any time by pressing the DIMMER PUSH BUTTONS (DIM).

Press and hold the DIM (▼) or BRIGHTEN (▲) PUSH BUTTON until you reach the desired setting and release, or tap each button for incremental steps (See figure 3.2 for dimming controls).

On non-Pitch Sync models (-G models), pressing both buttons simultaneously will reset the brightness to maximum.

WARNING

On Pitch Sync models, pressing both buttons simultaneously will turn the PITCH SYNC feature on (as shown by the PITCH SYNC 'ON' INDICATOR). Press both buttons again to turn the PITCH SYNC off if it is not needed. Refer to Section 3.2 for more information on the PITCH SYNC feature.

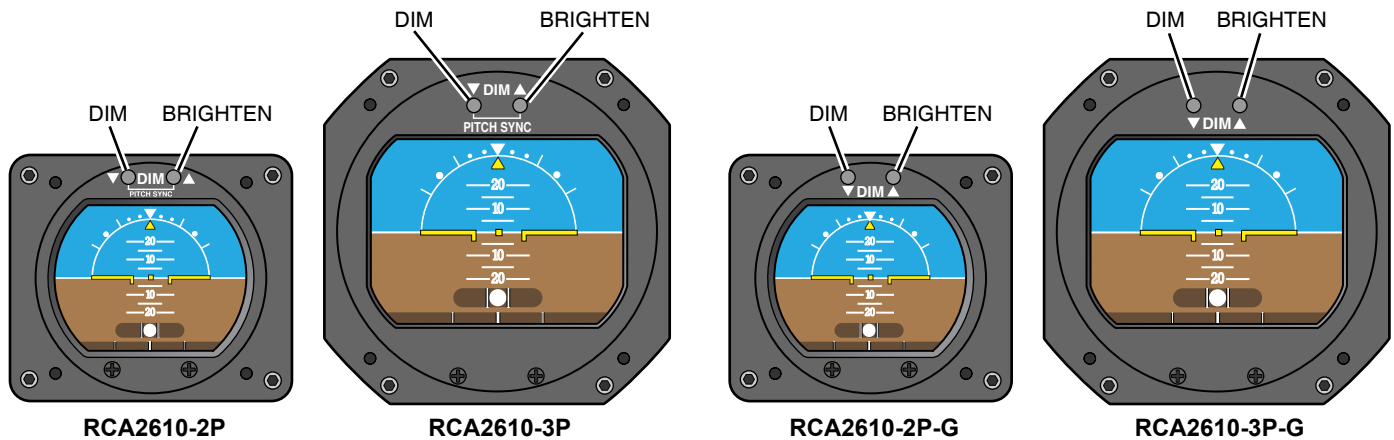


Figure 3.2, Dimmer Controls

3.4 FLIGHT LIMITATIONS

There are no flight limitations to the **RCA2610-P** Series Attitude Indicator. The instrument will operate in a full 360 degrees of turn and may be used in light aerobatic type maneuvers.

Extreme rotation speeds may cause the instrument to display a warning message to indicate to the pilot that the instrument may be operating outside the accuracy limits defined by the TSO. This message is displayed when the full scale of the instrument sensors is being exceeded and should go away within 3 to 10 seconds. Neither the display of the warning message, nor the extreme rotation speeds themselves, negatively affect the instrument so it is not necessary to service the instrument in the rare instance that the warning message is observed.

3.5 EMERGENCY PROCEDURES

In the rare event that your **RCA2610-P** does not reset itself, you will need to pull power to the unit and reset the circuit breaker. This will restart the unit and you can continue on without damage to the unit. You do not need to be flying level while the unit resets.

In a low voltage situation, the **RCA2610-P** will show a "Low Voltage" warning notice at the bottom of the screen. This notice will appear when the voltage goes below 11 volts. This notice will also indicate the amount of voltage the instrument is receiving. At 8.5 volts, a red "X" will appear across the screen indicating that the instrument reading is unreliable.

It is recommended that you install the Kelly Manufacturing **ESP-1** (Emergency Standby Power) backup battery unit. This will ensure that your instrument will have power in the event of Aircraft power failure. Contact your R.C. Allen/Kelly Mfg. distributor for additional information about this product.

In the event that the pitot-static input is blocked, the internal accelerometers will continue to calculate airspeed and give an accurate reading of pitch and roll.

SECTION 4, GENERAL INFORMATION

4.1 Flight Testing and Adjustments

After flight testing and evaluation, additional calibration may be required depending on the user's application. Communicate flight test data with Kelly Manufacturing Company to determine appropriate adjustments.

4.2 Instrument Care

The most easily damaged part of your instrument is the screen. Special care should be taken when cleaning the screen to prevent scratches and other damage. Avoid touching the screen at all times.

To clean light spots and dust, use a soft, lint free cotton cloth slightly moistened with distilled water.

You may also use cleaners approved for LCD TV's and laptop computer screens. For harder to clean spots, use a 50/50 solution of isopropyl alcohol and distilled water. Vinegar may also be used in a 50% solution with water.

Always apply the cleaner to the cloth and not the screen.

-CAUTION-

- **Do Not** use paper towels, facial tissue or napkins. These products are made from recycled paper and may contain metals and wood chips that will scratch the screen.
- **Do Not** use acetone or cleaners containing ammonia.

By avoiding all screen contact and by using proper cleaning methods, the user will be rewarded with many years of service.

4.3 OPTIONAL SLIP INDICATOR

An optional Slip/Skid Indicator (inclinometer) is available for all versions of the **RCA2610-P**. The instrument can be purchased with the Slip Indicator attached or purchased separately and installed by the user (part number 444-0010-01). The addition of a Slip Indicator satisfies the requirements for FAA's AC 91-75. The slip indicator may be attached before or after the instrument has been installed in the aircraft.

INSTALLATION

1. Apply power to the instrument to assure that it reads level in pitch and roll.
2. Remove two screws on the face of the instrument.
3. Align Inclinometer with holes and replace screws. Do not tighten.
4. Adjust the Slip Indicator until the bubble is centered and tighten screws just enough to secure Slip Indicator.
Do not over tighten.

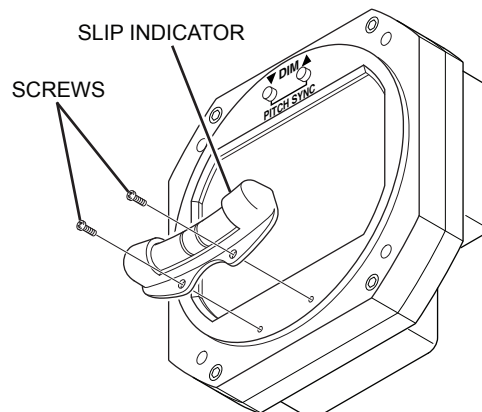


Figure 4.1, Slip Indicator Installation

4.4 BATTERY REPLACEMENT

When the “**Chk Batt**” warning appears on the screen, it indicates that either the battery failed the capacity test, there was a problem with the capacity test, or the battery is inoperable. Before replacing the battery, perform another capacity test by completing steps 6 through 9 to re-test the battery. If this does not clear the “**Chk Batt**” message, the battery must then be replaced as soon as possible. (See Figure 4.2 below) (replace battery with P/N 635-0002-01 Battery Assy).

To replace the battery:

1. Remove Battery Cover screws. (QTY: 2)
2. Remove Battery Cover.
3. Disconnect Battery Assembly.
4. Connect new Battery Assembly.
5. Reinstall Battery Cover and screws.
6. Apply power and allow the instrument to run for at least 3 minutes until the Battery Charge Status icon reaches 100%.
7. Adjust DIM buttons so that the screen brightness is at 100%.
8. Once the Battery Charge Status icon reaches 100%, disconnect power to the instrument and allow the instrument to complete the 60 second countdown.
9. Reapply power and check that no battery related messages appear.

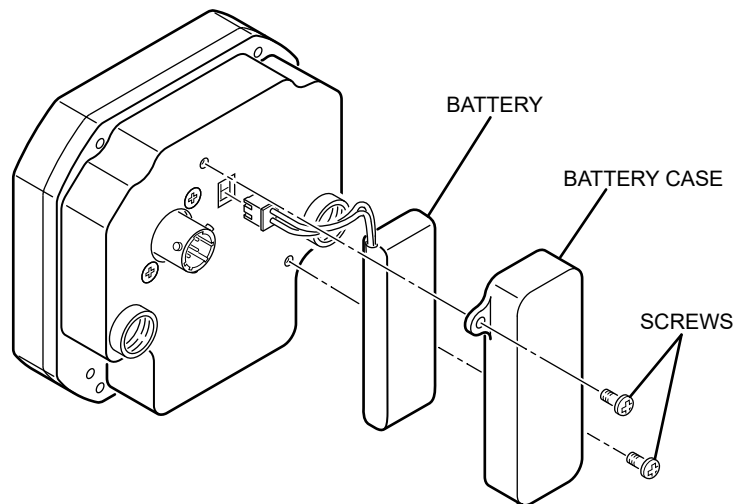


Figure 4.2, Battery Replacement

4.5 FREQUENTLY ASKED QUESTIONS

How long should my Digital Horizon last?

There isn't a good answer for this question. There are no moving parts in the RCA2610-P so there isn't anything to wear out. The RCA 2610 should give hundreds of hours of trouble free operation.

At what voltage level will my Digital Horizon become unreliable?

Unlike mechanical horizons, the RCA2610-P doesn't have a rotor that is affected by voltage. The RCA2610-P will be reliable from 9 to 32VDC.

My instrument is showing a climb/dive, what can I do?

You can check your aircraft owner's manual or contact the aircraft manufacturer to determine if your aircraft's instrument panel is tilted (pitched fore and aft). The tilt angle is any deviation from vertical of your instrument panel in level flight. Your instrument needs to be calibrated to compensate for this angle.

My instrument is showing a turn in level flight, what can I do?

It is very important to have the instrument level (left and right) in your panel. If the instrument is not level, it will show a turn when in level flight. To level the instrument, refer to installation Section 2.4.6.

How do I get my instrument repaired?

For any overhaul or repair questions you can contact Kelly Manufacturing Company. Our Service Center can repair or refurbish any R.C. Allen instrument. The only thing really required is information. You can send us your instrument with a letter giving us your name, return shipping address, phone number and a brief description of what is wrong with the instrument or download a form from the Support page on our web site at: kellymfg.com/support.html.

Email us for more information: SERVICE@KELLYMFG.COM.

Or, Visit our Web Site: www.kellymfg.com

APPENDIX A

Environmental Qualification: DO-160G Environmental Qualification Form

NOMENCLATURE: ELECTRIC DIGITAL HORIZON

MODEL NUMBER: RCA2610-series

TSO NUMBER: C4c & C113a

MANUFACTURERS SPECIFICATIONS: STP 1501 Rev. A (12/20/2016)

MANUFACTURER: Kelly Manufacturing Company

ADDRESS: 555 S. Topeka, Wichita, KS 67202

REVISION & CHANGE NUMBER OF DO-160: Rev. G **DATES TESTED:** 4/26/16 thru 5/24/16

CONDITIONS	SECTION	DESCRIPTION OF TESTS CONDUCTED
Temperature and Altitude	4.0	Equipment tested to Category D1
Low Temperature	4.5.1	
High Temperature	4.5.2 & 4.5.3	
Altitude	4.6.1	
Temperature Variation	5.0	Equipment tested to Category C
Humidity	6.0	Equipment tested to Category A
Operational Shocks and Crash Safety	7.0	Equipment tested to Category B
Vibration	8.0	Equipment tested to Category U2 curve F & F1
Explosive Atmosphere	9.0	Equipment identified as category X, no test performed
Waterproofness	10.0	Equipment identified as category X, no test performed
Fluids Susceptibility	11.0	Equipment identified as category X, no test performed
Sand and Dust	12.0	Equipment identified as category X, no test performed
Fungus	13.0	Equipment identified as category X, no test performed
Salt Fog Test	14.0	Equipment identified as category X, no test performed
Magnetic Effect	15.0	Equipment tested to Category Z
Power Input	16.0	Equipment tested to Category BRX
Voltage Spike	17.0	Equipment tested to Category A
Audio Frequency Susceptibility	18.0	Equipment tested to Category Z
Induced Signal Susceptibility	19.0	Equipment tested to Category ZC
Radio Frequency Susceptibility (Radiated and Conducted)	20.0	Equipment tested for Conducted Susceptibility to Category W Equipment tested for Radiated Susceptibility to Category F
Emissions of Radio Frequency Energy	21.0	Equipment tested to Category M
Lightning Induced Transient Susceptibility	22.0	Equipment tested to Pin Injection Test: Waveform set B, Level 3 Cable Bundle Test: Waveform set H, Level 3 Multiple Burst: Level 3 [B3H33]
Lightning Direct Effects	23.0	Equipment identified as category X, no test performed
Icing	24.0	Equipment identified as category X, no test performed
Electrostatic Discharge	25.0	Equipment tested to Category A
Fire, Flammability	26.0	Equipment identified as category X, no test performed

REMARKS

- In the power input test, equipment was tested to subparagraph 16.5.1.4 b, requirement for equipment with digital circuits
- Equipment also tested to (and passed) section 20, SW/CW radiated susceptibility @100V/m from 100MHz to 1GHz

APPENDIX B
Instructions for Continued Airworthiness

Equipment/Model Number: RCA2610 Series Equipment Description: Electric Digital Horizon		
1. Description		
This document describes the necessary maintenance requirements and instructions necessary to ensure the continued airworthiness of aircraft/rotorcraft with the RCA2610 Electric Digital Horizon installed.		
2. Operation		
Operating Instructions for the RCA2610 are detailed in the following document: <ul style="list-style-type: none"> ▪ Kelly Manufacturing Company Operation/Installation Guide (Publication No. 1401-3 and 1401-6) 		
3. Equipment Certifications		
<ul style="list-style-type: none"> ▪ FAA TSO-C4c ▪ FAA TSO-C113a ▪ FAA TSO-C3e 	<ul style="list-style-type: none"> ▪ AS8034B ▪ AS396B ▪ AS8004 	<ul style="list-style-type: none"> ▪ RTCA DO-160G ▪ RTCA DO-178B Lv. C
3. Servicing		
No scheduled service required		
4. Maintenance Instructions		
Every 12 months: Check that the RCA2610 Electric Digital Horizon is responding properly and operating within the guidelines detailed in Kelly Manufacturing Company Publication No. 1401-3. Also verify the following <ul style="list-style-type: none"> ▪ No warning/error message exists on the display. ▪ No drop off or inconsistency in display brightness. 		
Every 24 months: Check functional indication accuracy Note: Indication accuracy can be verified in flight test using the following procedure: <ul style="list-style-type: none"> ▪ After take-off and before IFR situations perform two turns in opposite directions of at least 15 degrees at approximately 1.3 G's ▪ Return aircraft to level flight/cruising speeds for a minimum of 2 minutes. ▪ Verify the RCA2610 indicates level in pitch and roll within two degrees. Service is required if the RCA2610 does not pass this flight test. Instrument service can be performed at Kelly Manufacturing Company service@kellymfg.com		
Every 36 months: Replace Battery Assembly (635-0002-01) on applicable units equipped with a battery backup option. Contact Kelly Manufacturing Company for availability spareparts@kellymfg.com		
Airworthiness Limitations		
There are no airworthiness limitations for the RCA2610 Reference section 3.4 of Kelly Manufacturing Company Publication 1401-3 and 1401-6.		

APPENDIX C
Table of Part Numbers

Part Number	Size	Optional Features	TSO Certifications
102-0403-04-05	3 inch	Pitch Sync	TSO-C4c, TSO-C113a
102-0403-04-07	3 inch	<i>none</i>	TSO-C4c, TSO-C113a
102-0403-04-13	3 inch	Pitch Sync, Battery	TSO-C4c, TSO-C113a
102-0403-04-15	3 inch	Battery	TSO-C4c, TSO-C113a
102-0403-06-06	3 inch	NVIS, Pitch Sync	TSO-C4c, TSO-C113a
102-0403-06-08	3 inch	NVIS	TSO-C4c, TSO-C113a
102-0403-06-14	3 inch	NVIS, Pitch Sync, Battery	TSO-C4c, TSO-C113a
102-0403-06-16	3 inch	NVIS, Battery	TSO-C4c, TSO-C113a
102-0403-08-05	3 inch	Slip Indicator, Pitch Sync	TSO-C4c, TSO-C113a, [TSO-C3e - incomplete]
102-0403-08-07	3 inch	Slip Indicator,	TSO-C4c, TSO-C113a, [TSO-C3e - incomplete]
102-0403-08-13	3 inch	Slip Indicator, Pitch Sync, Battery	TSO-C4c, TSO-C113a, [TSO-C3e - incomplete]
102-0403-08-15	3 inch	Slip Indicator, Battery	TSO-C4c, TSO-C113a, [TSO-C3e - incomplete]
102-0403-10-06	3 inch	NVIS, Slip Indicator, Pitch Sync	TSO-C4c, TSO-C113a, [TSO-C3e - incomplete]
102-0403-10-08	3 inch	NVIS, Slip Indicator	TSO-C4c, TSO-C113a, [TSO-C3e - incomplete]
102-0403-10-14	3 inch	NVIS, Slip Indicator, Pitch Sync, Battery	TSO-C4c, TSO-C113a, [TSO-C3e - incomplete]
102-0403-10-16	3 inch	NVIS, Slip Indicator, Battery	TSO-C4c, TSO-C113a, [TSO-C3e - incomplete]
102-0403-12-05	3 inch	Turn & Slip Indicator, Pitch Sync	TSO-C4c, TSO-C113a, TSO-C3e
102-0403-12-07	3 inch	Turn & Slip Indicator	TSO-C4c, TSO-C113a, TSO-C3e
102-0403-12-13	3 inch	Turn & Slip Indicator, Pitch Sync, Battery	TSO-C4c, TSO-C113a, TSO-C3e
102-0403-12-15	3 inch	Turn & Slip Indicator, Battery	TSO-C4c, TSO-C113a, TSO-C3e
102-0403-14-06	3 inch	NVIS, Turn & Slip Indicator, Pitch Sync	TSO-C4c, TSO-C113a, TSO-C3e
102-0403-14-08	3 inch	NVIS, Turn & Slip Indicator	TSO-C4c, TSO-C113a, TSO-C3e
102-0403-14-14	3 inch	NVIS, Turn & Slip Indicator, Pitch Sync, Battery	TSO-C4c, TSO-C113a, TSO-C3e
102-0403-14-16	3 inch	NVIS, Turn & Slip Indicator, Battery	TSO-C4c, TSO-C113a, TSO-C3e
102-0402-04-05	2 inch	Pitch Sync	TSO-C4c, TSO-C113a
102-0402-04-07	2 inch	<i>none</i>	TSO-C4c, TSO-C113a
102-0402-04-13	2 inch	Pitch Sync, Battery	TSO-C4c, TSO-C113a
102-0402-04-15	2 inch	Battery	TSO-C4c, TSO-C113a
102-0402-06-06	2 inch	NVIS, Pitch Sync	TSO-C4c, TSO-C113a
102-0402-06-08	2 inch	NVIS	TSO-C4c, TSO-C113a
102-0402-06-14	2 inch	NVIS, Pitch Sync, Battery	TSO-C4c, TSO-C113a
102-0402-06-16	2 inch	NVIS, Battery	TSO-C4c, TSO-C113a
102-0402-08-05	2 inch	Slip Indicator, Pitch Sync	TSO-C4c, TSO-C113a, [TSO-C3e - incomplete]
102-0402-08-07	2 inch	Slip Indicator,	TSO-C4c, TSO-C113a, [TSO-C3e - incomplete]
102-0402-08-13	2 inch	Slip Indicator, Pitch Sync, Battery	TSO-C4c, TSO-C113a, [TSO-C3e - incomplete]
102-0402-08-15	2 inch	Slip Indicator, Battery	TSO-C4c, TSO-C113a, [TSO-C3e - incomplete]
102-0402-10-06	2 inch	NVIS, Slip Indicator, Pitch Sync	TSO-C4c, TSO-C113a, [TSO-C3e - incomplete]
102-0402-10-08	2 inch	NVIS, Slip Indicator	TSO-C4c, TSO-C113a, [TSO-C3e - incomplete]
102-0402-10-14	2 inch	NVIS, Slip Indicator, Pitch Sync, Battery	TSO-C4c, TSO-C113a, [TSO-C3e - incomplete]
102-0402-10-16	2 inch	NVIS, Slip Indicator, Battery	TSO-C4c, TSO-C113a, [TSO-C3e - incomplete]
102-0402-12-05	2 inch	Turn & Slip Indicator, Pitch Sync	TSO-C4c, TSO-C113a, TSO-C3e
102-0402-12-07	2 inch	Turn & Slip Indicator	TSO-C4c, TSO-C113a, TSO-C3e
102-0402-12-13	2 inch	Turn & Slip Indicator, Pitch Sync, Battery	TSO-C4c, TSO-C113a, TSO-C3e
102-0402-12-15	2 inch	Turn & Slip Indicator, Battery	TSO-C4c, TSO-C113a, TSO-C3e
102-0402-14-06	2 inch	NVIS, Turn & Slip Indicator, Pitch Sync	TSO-C4c, TSO-C113a, TSO-C3e
102-0402-14-08	2 inch	NVIS, Turn & Slip Indicator	TSO-C4c, TSO-C113a, TSO-C3e
102-0402-14-14	2 inch	NVIS, Turn & Slip Indicator, Pitch Sync, Battery	TSO-C4c, TSO-C113a, TSO-C3e
102-0402-14-16	2 inch	NVIS, Turn & Slip Indicator, Battery	TSO-C4c, TSO-C113a, TSO-C3e

KMC PUBLICATION NO. 1401-6

**KELLY MANUFACTURING COMPANY
555 S. TOPEKA
WICHITA, KANSAS 67202
WWW.KELLYMFG.COM**